

ALTOZ®

ALWAYS AHEAD®



COMMERCIAL & MUNICIPAL
GROUNDSKEEPING EQUIPMENT

**DO MORE.
GO FURTHER.™**

STABILITY

Unmatched slope
mowing capabilities



TRACTION

Maximum traction
on wet ground

SAFETY

Mow safely where
others can't go



PAYBACK

Expand mowable reach
for a better, increased ROI



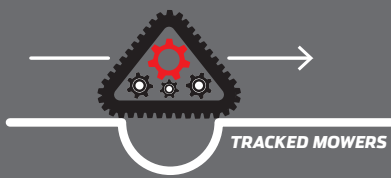
THE GAME HAS CHANGED.

RIVER BANKS, DITCHES AND WET AREAS ARE
NOT ONLY REACHABLE—THEY'RE MOWABLE.



WET AREAS

More control for mowing
around water features,
ditches and low areas.



INCREASED ROI



SAFER, FASTER JOB COMPLETION



MORE VERSATILE & MORE CAPABLE



SLOPES

Mow slopes safely with high traction and minimal compaction.



TALL GRASS & UNRULY TERRAIN

Reclaim your property and tame even the harshest terrain.



SWITCH™



MULTI-TASKING

Maximize productivity and efficiency with a versatile line of attachments.

SPEED

Hydrostatic transmissions with speeds up to 7 mph

TRACKS

9" wide tracks

ADJUSTABLE AXLE WIDTH

42" or 52"

ENGINE

34.5 hp Kawasaki® FX820V EVO EFI

DROP, SWAP & GO

The Altoz Switch delivers the stability and mobility of tracks and pairs it with the versatility and functionality of a broad range of interchangeable attachments. The Switch is fully capable of handling multiple tasks and technical terrain in any season.

**SEE OUR
FULL LINE
OF SWITCH
ATTACHMENTS &
SPECS**



Switch Accessories

QUICK SCAN →

Whatever the task,
Altoz Switch attachments connect
quickly and easily.



SNOW BLOWER

Quickly and efficiently clear snow from sidewalks, driveways or anywhere else. 44" widths, 2-stage, belt driven. Hydraulically-adjustable chute rotation and electrically-adjustable chute angle.

V-PLOW

Move snow and light aggregate quickly and efficiently. 50" blade width (44" width in angled and V-position). Angle left, right, straight, scoop or V-position with easy hydraulic adjustment.



POWER ANGLE BROOM

Ideal for year-round cleaning of parking lots and sidewalks, or for lawn dethatching or leaf removal. 48" straight width, 44" angled. Angle left, right or straight with the touch of a button.



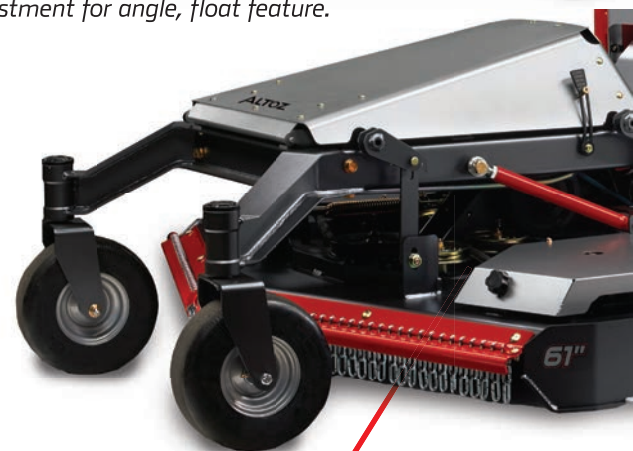
STRAIGHT BLADE

Handle snowbound walkways and light aggregate in tight areas with ease. 50" blade width, 44" width angled. Hydraulic adjustment for angle, float feature. Cutting edge features adjustable trip tension.



BRUSH CUTTER

Brush clearing made easy. Clear trails, ditches, and reclaim overgrown areas. 44" cutting width, 2-spindle counter rotating design, four swing blades absorb impact when contacting solid objects.



ALL-TERRAIN MOWER

Power through rough terrain, tackle slopes, traverse roadsides and reclaim overgrown areas. 61" cutting width, 3-spindle design, six swing blades forged and heat-treated for durability.

DROP SPREADER

Make quick work of sidewalks and pathways, with precise coverage drop from 30" to 36" spread width. Pair with Snow Blower, V-Plow, Straight Blade Plow or Power Angle Broom to complete two tasks at once.



TRX SERIES

TRX 766 i

TRX 766 i
66" Finish Cut Aero Deck™

TRX 766 i
66" HV All-terrain Deck



TRX 561 i

TRX 561 i
61" Finish Cut Aero Deck™



TRX 354

TRX 354
54" Finish Cut Aero Deck™



DUAL FUEL TANKS

Two 7-gallon gas tanks (TRX 766 i, TRX 561 i) mean fewer stops for refueling.

Adjustable 12-way seat



TRACK OPTIONS

All-terrain Tracks are ideal for side hilling, soft ground and rough areas other mowers can't reach. Optional Turf Tracks are less aggressive and perfect for soft ground, rolling hills and sensitive terrain.

REAR TORSION AXLE SUSPENSION

Allows the track to follow the contour of the ground for better traction, stability and ride.

QUICK SCAN →

For a full description of TRX models, features and options visit Altoz.com/tracked-zero-turn-mowers/trx



ROLL-OVER PROTECTION SYSTEM

Our roll-over protection system can be easily folded down to avoid low hanging limbs.

2-WAY ADJUSTABLE SEAT

Combined with our suspension system, the 2-way adjustable high-back suspension seat with arm rests delivers the industry's smoothest ride.

HEAVY DUTY TRANSMISSION

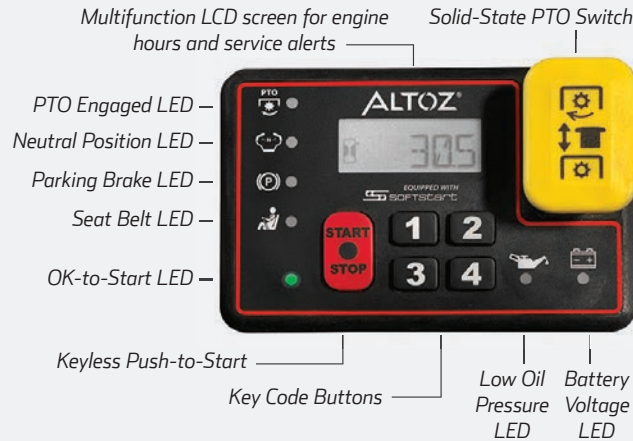
Heavy-duty, commercial Hydro-Gear® ZT-5400 dual range transmissions (TRX 766 i). Planetary final drive gear reduction delivers maximum torque and durability.



FLAT-FREE FRONT TIRES

Power through the harshest conditions and minimize downtime, even over rough terrain and sharp debris, with standard flat-free tires.

SMARTRAC/PRO



The SmarTrac™ Pro control features a solid-state PTO switch, patented SoftStart clutch control that decreases mechanical wear and significantly increases deck belt life, a keyless push-to-start ignition, a large multifunction LCD screen and 6 ultra-bright status LEDs.



HV ALL-TERRAIN DECK

The TRX 766 i HV All-terrain Deck is constructed of industry-exclusive 7-gauge laminated steel with six swing blades and a sloped back rear discharge that can process a high volume of material and allows for a closer cut underneath and around immobile objects. Our proprietary pivoting blades are forged and heat-treated for exceptional, long-lasting sharpness.



FINISH CUT AERO DECK™

Exclusive Finish Cut Aero Deck is .315-inch fabricated steel and features fully adjustable baffles, enabling you to customize your cut to various grass conditions.

TORQFLEX™ SUSPENSION

The TRX's TorqFlex™ front suspension and rear torsional axle suspension (TRX 766 i, TRX 561 i) work together to bridge uneven terrain, delivering stability, a smooth ride and reduced operator fatigue.



TSX 561i

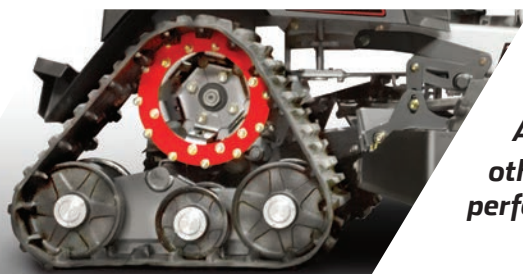
Finish Cut or All-Terrain

RESPONSIVE, SMOOTH TRANSMISSION

High-performance commercial Hydro-Gear® PR 16cc pumps and Parker® TF 195cc wheel motors deliver quick response to the rear Altoz track system and smooth control for cutting speeds up to 10 mph.

OPERATOR COMFORT

An adjustable coil spring over shock suspension operator platform provides operator comfort.



TRACK OPTIONS

All-terrain Tracks are ideal for side hilling, soft terrain and rough areas other mowers can't reach. Optional Turf Tracks are less aggressive and perfect for soft ground, rolling hills and sensitive terrain.



WET AREAS

More control for mowing around water features, ditches and low areas.



SLOPES

Mow slopes safely with high traction and minimal compaction.

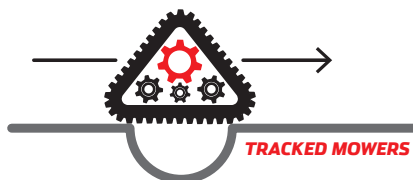


TALL GRASS & UNRULY TERRAIN

Reclaim your property and tame even the harshest terrain.

TRACK BENEFITS

The TSX's tough tracks bridge over uneven terrain and provide a smooth, comfortable ride on rough ground.



The **TSX 561 i** secures difficult terrain jobs others can't mow safely by combining the fast maneuverability of a stand-on mower with the unmatched steep terrain mowing of an Altoz track system.



See our full line of **TSX models** →

SMOOTH RIDE

The TSX's TorqFlex™ front suspension and rear torsional axle suspension work together to bridge uneven terrain, delivering stability and a smooth ride.

FLAT-FREE FRONT TIRES

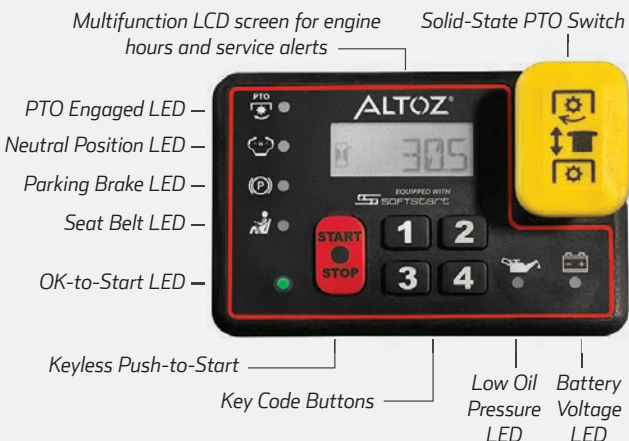
Power through the harshest conditions and minimize downtime, even over rough terrain and sharp debris, with standard flat-free tires.



POWERFUL ENGINE

29.5 hp Kawasaki FX 852cc EFI engine with integrated electronic throttle control powers through tough mowing conditions. EFI fuel management adjusts power to load, keeping blade tip speed constant and ground speed steady.

SMARTRAC/PRO

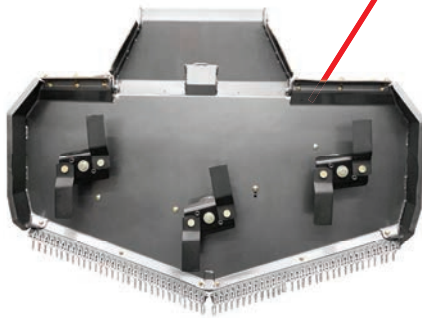


The SmarTrac™ Pro control features a solid-state PTO switch, patented SoftStart clutch control that decreases mechanical wear and significantly increases deck belt life, a keyless push-to-start ignition, a large multifunction LCD screen and 6 ultra-bright status LEDs.

EXCLUSIVE DECK OPTIONS

61" HV ALL-TERRAIN DECK

The Altoz HV All-terrain Deck is offset and constructed of industry-exclusive 7-gauge laminated steel with six swing blades and a sloped back rear discharge that can process a high volume of material and allows for a closer cut underneath and around immobile objects. Our proprietary pivoting blades are forged and heat-treated for exceptional, long-lasting sharpness.



61" FINISH CUT AERO DECK™

Exclusive Finish Cut Aero Deck is .315-inch fabricated steel and features fully adjustable baffles, enabling you to customize your cut to various grass conditions.



XC Z ▶ SERIES



XC Z

XC 610 Z
XC 720 Z

SPEEDS UP TO 19 MPH
14-GALLON FUEL CAPACITY
ALL-DAY OPERATOR COMFORT

RIDER COMFORT

12-way adjustable high-back suspension seat with arm rests and TorqFlex suspension work together to deliver the industry's smoothest ride.

VIBRATION ELIMINATION

4-Point Engine Isolation System (EIS) isolates and absorbs engine vibrations for greater rider comfort. 6-Point Vibration Isolation System (VIS) isolates seat and foot wells to protect rider from ground vibrations.

HEAVY-DUTY CHASSIS

Our C-channel frame is laser-cut and welded from heavy gauge steel for maximum strength and rigidity.

POWER DECK LIFT

Conveniently located steering lever mounted control allows for quick and easy deck height adjustments without having to take your hand off the steering lever.

FINISH CUT AERO DECK™

Exclusive Finish Cut Aero Deck is .315-inch fabricated steel and features fully adjustable baffles, enabling you to customize your cut to various grass conditions. Available in 61" and 72" deck sizes.

BUILT FOR SPEED

With dual-range Hydro-Gear 5400 high/low transmissions and a top transport speed of 19 mph, the Altoz XC series can get the job done...fast.

XP HD ▶ SERIES



XP HD

XP 540 HD
XP 610 HDi
XP 660 HD
XP 720 HD

The **XP HD Series** is engineered for reliability and a precise cut, designed for people who rely on their equipment to make a living, and delivers nothing less than perfection.

DECK HEIGHT ADJUSTMENT

Rotational deck height adjustment changes cutting height setting with the turn of a dial.

RIDER COMFORT

12-way adjustable high-back suspension seat with arm rests delivers the industry's most comfortable ride.

FINISH CUT AERO DECK™

Exclusive Finish Cut Aero Deck is .315-inch fabricated steel and features fully adjustable baffles, enabling you to customize your cut to various grass conditions. Available in 54", 61", 66" and 72" deck sizes.

SMARTRAC PRO CONTROL

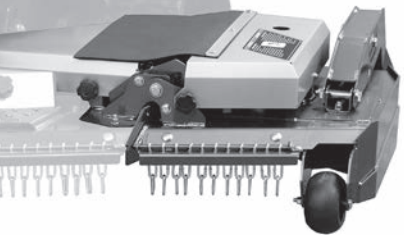
The **SmarTrac™ Pro** control features a solid-state PTO switch, patented SoftStart clutch control that decreases mechanical wear and significantly increases deck belt life, a keyless push-to-start ignition, a large multifunction LCD screen and 6 ultra-bright status LEDs.

TWIN GAS TANKS

14-gallon capacity for extended cutting times.



DECK WING EXTENSION



DISCHARGE COVER



COLLECTION SYSTEM



QUICK SCAN →
See the full lineup of
available accessories at
Altoz.com/accessories



**ADD FUNCTIONALITY
AND INCREASE PRODUCTIVITY
WITH ALTOZ ACCESSORIES.**

DO MORE. GO FURTHER.TM

Altoz products continue to receive critical acclaim
from experts in the industry.



ALTOZ[®]
ALWAYS AHEAD[®]

Altoz, Inc. | 20502 160th Street | Greenbush, MN 56726



Your Local Altoz Dealer

©2023-2024 Altoz, Inc. All information contained within this publication is based on the latest product information available at the time of publication. Because Altoz, Inc. makes constant improvements in the design and quality of its products, some minor discrepancies may result between the actual machine and the information presented in this brochure. Altoz reserves the right to change specifications and design without notice. Depictions of operation are intended for reference only. Always wear the proper personal protective gear and operate within your capability. No liability can be accepted for omissions or inaccuracies. Engine horsepower and torque information are provided by the engine manufacturer to be used for comparison purposes only. Actual operating horsepower and torque will be less. Refer to the engine manufacturer's website for additional information. Altoz, the Altoz logo, TorqFlex, Aero Deck, SmarTrac Pro and Switch are trademarks of Altoz, Inc. Other trademarks are the property of their respective owners. Printed in the USA.

Altoz.com

MADE IN THE
USA

(p/n 9001043 - REV. A)